

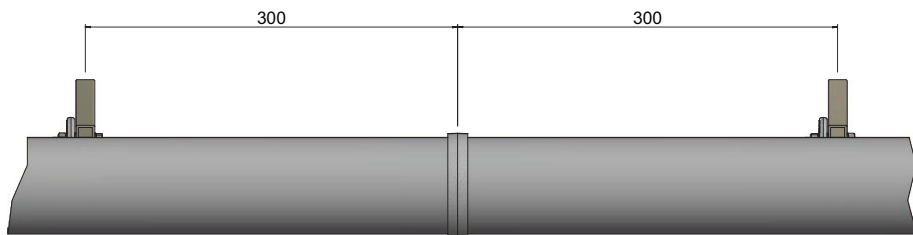
ecolux super lens

ecolux solar

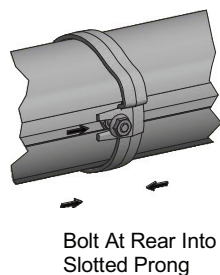
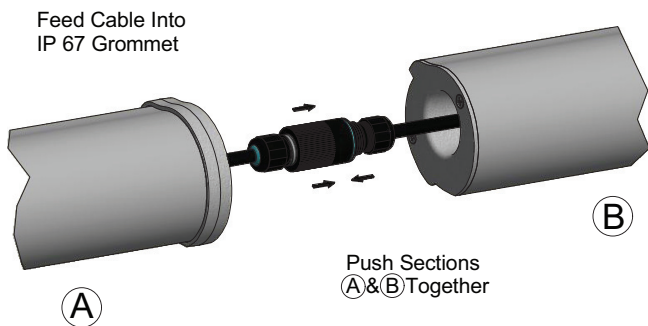
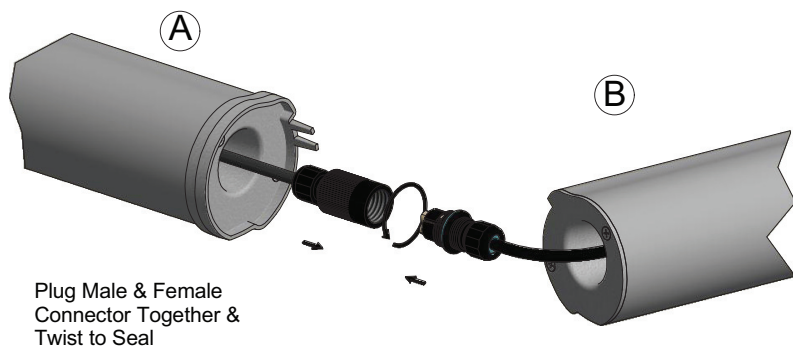
connecting lights



Portland Lighting
Unit A2 & A3
Walsall Enterprise Park
Regal Drive
Walsall
WS2 9HQ
Tel: 01922 721133
Fax: 01922 659545
Mobile: 07836 519003
www.portlandlighting.co.uk



Preparation:- For Best Results Fix Brackets within 300mm Either Side of Join

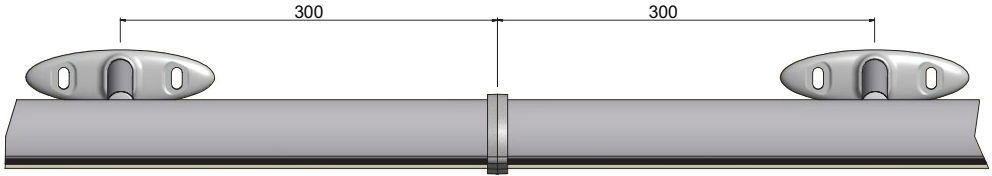


ecolux II

connecting lights



Portland Lighting
Unit A2 & A3
Walsall Enterprise Park
Regal Drive
Walsall
WS2 9HQ
Tel: 01922 721133
Fax: 01922 659545
Mobile: 07836 519003
www.portlandlighting.co.uk



Preparation:- For Best Results Fix Brackets within 300mm Either Side of Join

