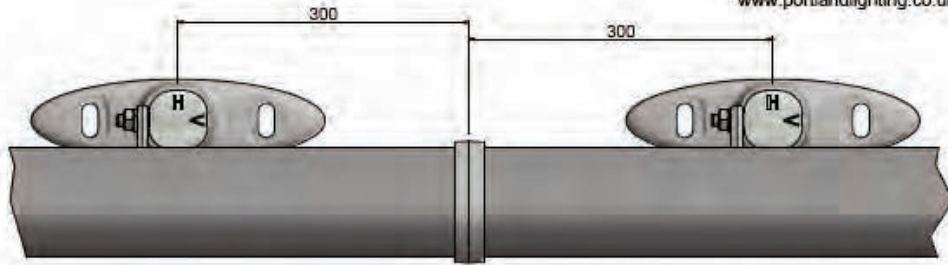


## ecolux mini connecting lights



**Portland Lighting**  
Unit A2 & A3  
Walsall Enterprise Park  
Regal Drive  
Walsall  
WS2 9HQ  
Tel: 01922 721133  
Fax: 01922 659545  
Mobile: 07836 519003  
www.portlandlighting.co.uk



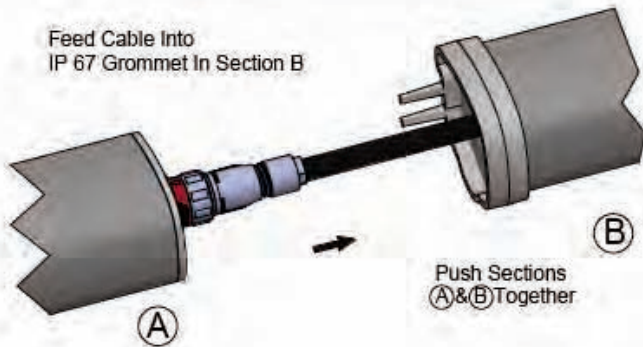
Preparation:- For Best Results Fix Brackets within 300mm Either Side of Join

(A)



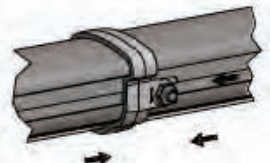
Plug Male & Female  
Connector Together &  
Twist to Seal

(B)



Feed Cable Into  
IP 67 Grommet In Section B

Push Sections  
(A)&(B) Together






Bolt At Rear Into  
Slotted Prong

# ecolux mini

## INSTALLATION & WIRING INSTRUCTIONS

1. **IMPORTANT:** Please read these instructions carefully before proceeding with installation.
  - 1.1 This instruction sheet should be passed on by installer to the end user for maintenance purposes.
  - 1.2 It is recommended that the fitting is installed by a competent electrician in accordance with these instructions and appropriate wiring regulations.
  - 1.3 Portland Lighting products should not be modified. No responsibility will be accepted for any modified products or for any damage caused as a result of their modification.
  - 1.4 It is not recommended to install the fitting in areas that are liable to reach an ambient temperature in excess of 35°C.
  - 1.5 To clean fittings use a soft damp cloth and dry immediately. Do not use any chemical/abrasive cleaner.
  - 1.6 All fittings are class 1 fittings and should, therefore be earthed.
  - 1.7 The fitting is not suitable for dimming.
  - 1.8 The fitting comes complete with an integral power supply and pre-wired with a 0.75M 3 core supply cable. The wires in this mains cable are coloured in accordance with the following code:
 

 GREEN & YELLOW - EARTH	A suitable IP rated connection must be used at the other end.
 BLUE - NEUTRAL	
 BROWN - LIVE	
  - 1.9 Type Y Attachment – If the external flexible cable or cord of this luminaire is damaged, it shall be exclusively replaced by Portland Lighting Ltd or their service agent or a similar qualified person in order to avoid a hazard.
- 2 The light source contained in this luminaire shall only be replaced by the manufacturer or his service agent or a similar qualified person.



### Important Safety

Before carrying out any servicing on this luminaire, ensure that the mains supply is fully isolated.

### technical enquiries

If you need any help with the installation or maintenance of Portland Lighting products, please contact us on 01922 721133



Units A2 & A3, Walsall Enterprise Park,  
Regal Drive, Walsall WS2 9HQ  
Tel: 01922 721133 Fax: 01922 659545  
Email: sales@portlandlighting.co.uk  
www.portlandlighting.co.uk



# Multi brackets

## fixing orientation Instruction

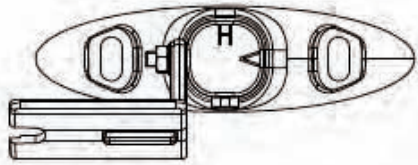
The fitting should be mounted on a suitable weight bearing surface using appropriate fixings  
(Weight per metre - Ecolux Mini 1.25kg)



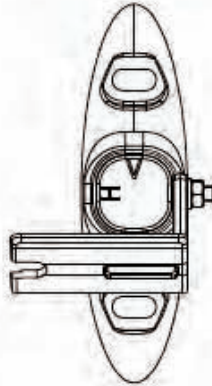
**Portland Lighting**  
Unit A2 & A3  
Walsall Enterprise Park  
Regal Drive  
Walsall  
WS2 9HQ

Tel: 01922 721133  
Fax: 01922 659545  
Mobile: 07836 519003  
www.portlandlighting.co.uk

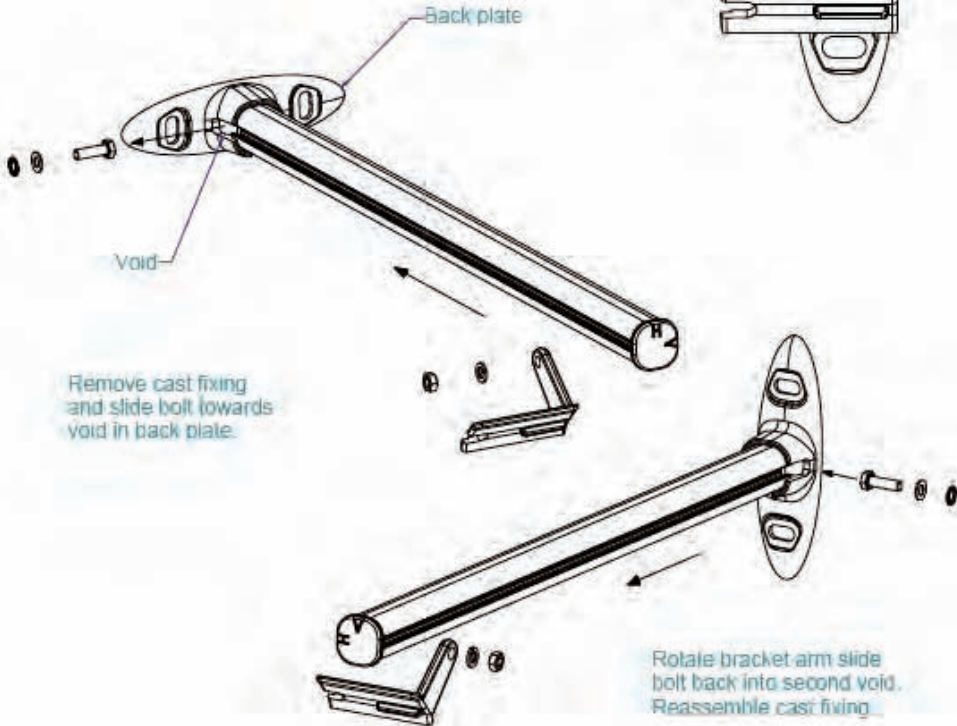
H = Horizontal Fix  
Install with H on top



V = Vertical Fix  
Install with V on top



Back plate



Remove cast fixing and slide bolt towards void in back plate.

Rotate bracket arm slide bolt back into second void. Reassemble cast fixing.



**Portland Lighting**  
Unit A2 & A3  
Walsall Enterprise Park  
Regal Drive  
Walsall  
WS2 9HQ

Tel: 01922 721133  
Fax: 01922 659545  
Mobile: 07836 519003  
www.portlandlighting.co.uk

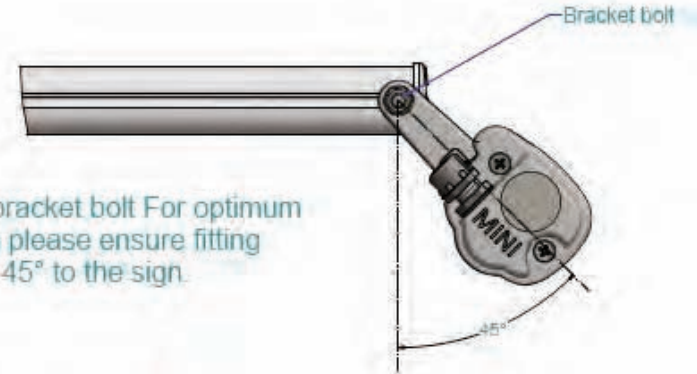
# Ecolux Mini installation...easy as 1,2,3!

## Secure brackets to wall then...



1) Hang Ecolux Mini over Multi bracket leaving hands free.

2) Slide spring clip fixing over nipple on casting to secure



3) Secure bracket bolt For optimum illumination please ensure fitting installed at 45° to the sign.