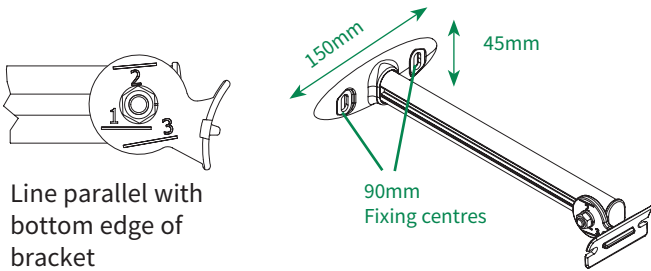


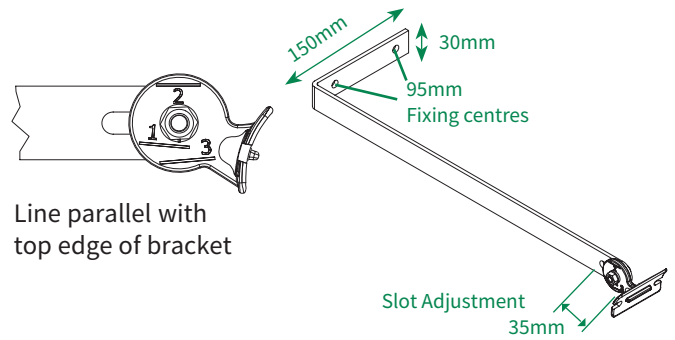
Setting 1: 0-2m Sign Height

300mm uni bracket



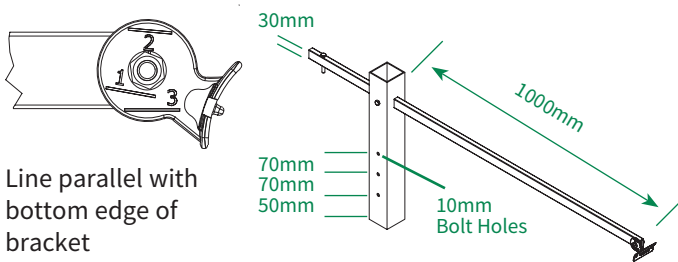
Setting 2: 2-3m Sign Height

500mm adjustable steel bracket

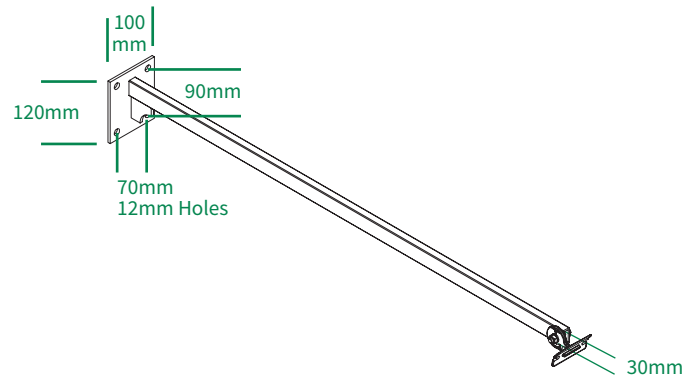


Setting 3: 3-5m Sign Height for Billboards and Large Format Signs

1000mm land bracket



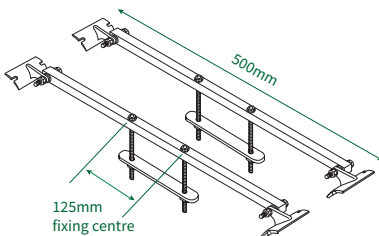
1000mm gable bracket



others

Pictorial bracket set

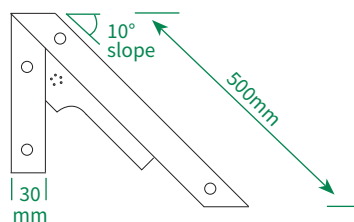
Ideal for back to back signs



optional 10° angle bracket for fixing solar PV panels

Bolt to rear of your sign and apply your dibond panel (or similar) to assist fixing solar panels

Vertical Fix



Horizontal Fix

