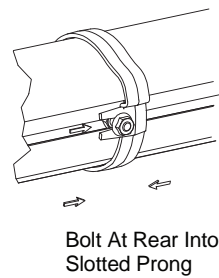
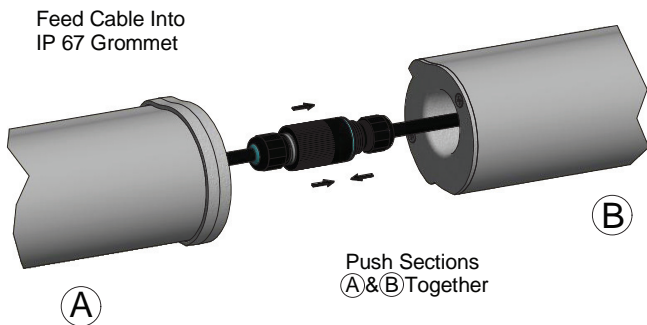
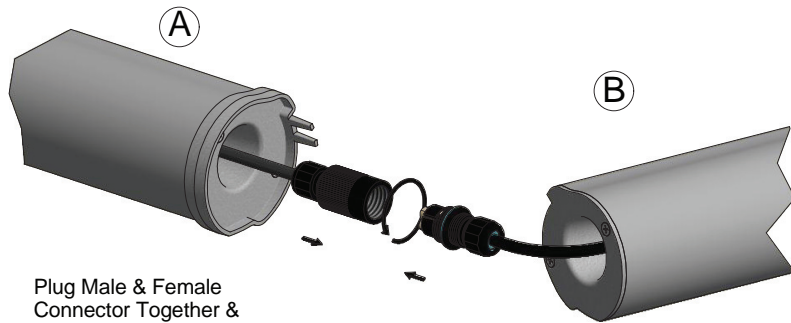


Preparation:- For Best Results Fix Brackets within 300mm Either Side of Joint



Telephone: 01922 721 133

£ 0.00



Portland Lighting
Unit 2
Reedswood Park Road
Walsall
WS2 8DQ