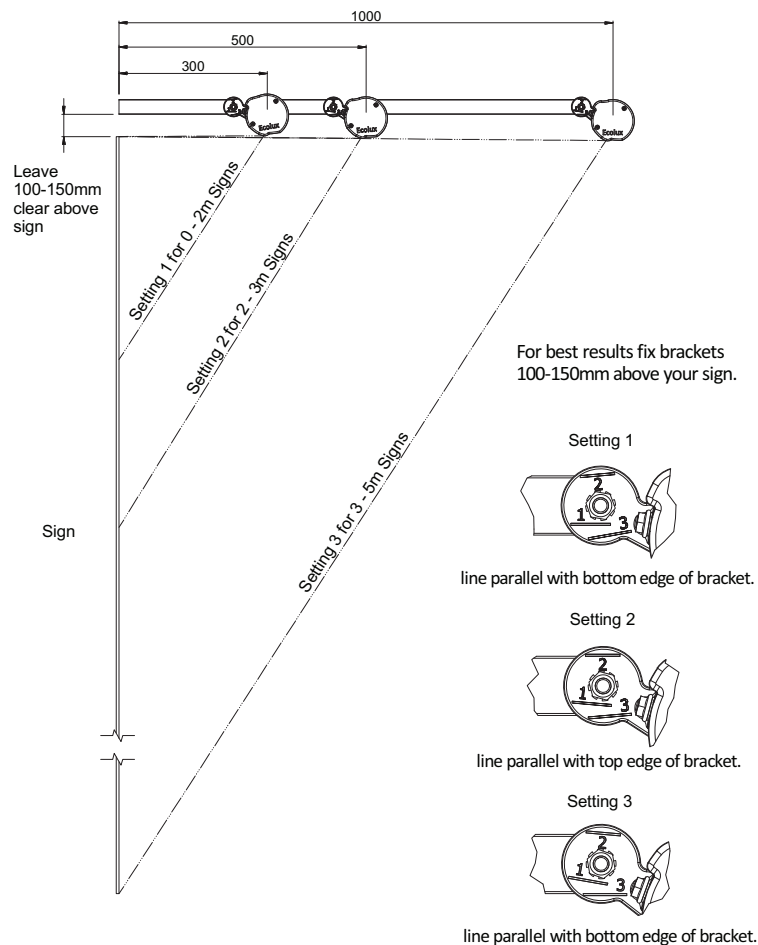


VITALLY IMPORTANT: TO GIVE OPTIMUM ILLUMINATION TO SIGN FACE SELECT CORRECT SETTING 1, 2 OR 3 ON BRACKET FIXINGS WHEN TIGHTENING



Important Safety

Before carrying out any servicing on this luminaire, ensure that the mains supply is fully isolated.

technical enquiries

If you need any help with the installation or maintenance of Portland Lighting products, please contact us

Telephone: **01922 721 133**
Email: Sales@portlandlighting.co.uk



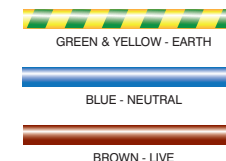
Portland Lighting
Unit 2
Reedwood Park Road
Walsall
WS2 8DQ

ecolux super lens

INSTALLATION & WIRING INSTRUCTIONS

1. IMPORTANT: Please read these instructions carefully before proceeding with installation.

- 1.1 This instruction sheet should be passed on by installer to the end user for maintenance purposes.
- 1.2 It is recommended that the fitting is installed by a competent electrician in accordance with these instructions and appropriate wiring regulations.
- 1.3 Portland Lighting products should not be modified. No responsibility will be accepted for any modified products or for any damage caused as a result of their modification.
- 1.4 It is not recommended to install the fitting in areas that are liable to reach an ambient temperature in excess of 35°C.
- 1.5 To clean fittings use a soft damp cloth and dry immediately. Do not use any chemical/abrasive cleaner.
- 1.6 All fittings are class 1 fittings. Input 100-240V AC 50-60 Hz and should be earthed.
- 1.7 The fitting is not suitable for dimming.
- 1.8 The fitting comes complete with an integral power supply and pre-wired with a 0.75M 3 core supply cable. The wires in this mains cable are coloured in accordance with the following code:



A suitable IP rated connection must be used at the other end.

- 1.9 Type Y Attachment – If the external flexible cable or cord of this luminaire is damaged, it shall be exclusively replaced by Portland Lighting Ltd or their service agent or a similar qualified person in order to avoid a hazard.
- 2.0 The light source contained in this luminaire shall only be replaced by the manufacturer, service agent or similar qualified person.

The fitting should be mounted on a suitable weight bearing surface, using appropriate fixings (Weight per metre 3.50kg).



Secure bracket to wall. For best results 100-150mm above your sign.



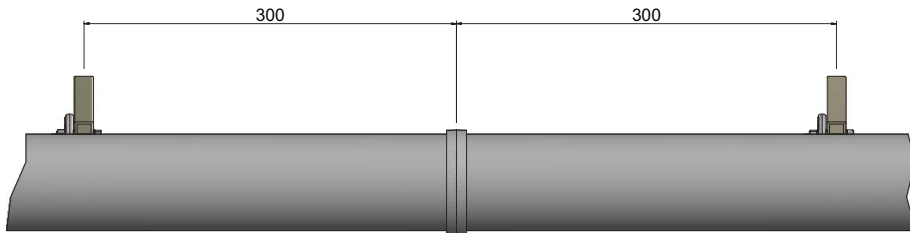
Tighten bracket end to specified setting:
300mm bracket - 1
500mm bracket - 2
1000mm bracket - 3



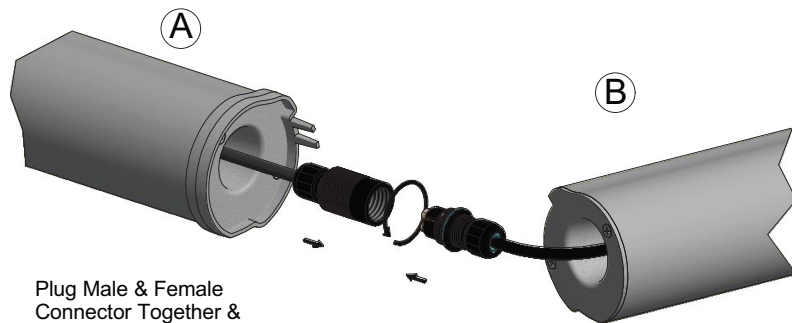
Hang lights on bracket and slide fasteners into position and secure.

ecolux super lens

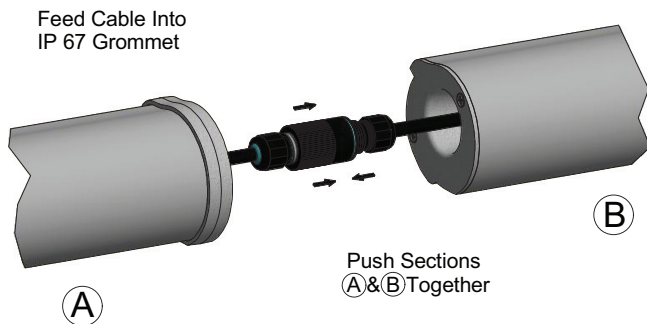
CONNECTING INSTRUCTIONS



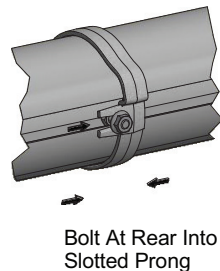
Preparation:- For Best Results Fix Brackets within 300mm Either Side of Join



Plug Male & Female Connector Together & Twist to Seal



Push Sections A & B Together



Bolt At Rear Into Slotted Prong

LED strip

Over 1650 lumens per metre LED output
Only 14.4 Watts per metre power consumption. 75% energy saving compared to fluorescent.
24 volt input, less voltage drop
6000k cool white or 3000k warm white LEDs available
IP65 protected, 50,000+ hour lamp life
5 Year Warranty
Full CE certification and ROHS compliant

Drivers

Epoxy encapsulated fully isolated case with IP67 protection
Constant voltage design
Short circuit, over current, over voltage protection
Fitted onto Kwik release slide Gear Trays
Full CE certification and ROHS compliant.

Light Fitting

Specialist designed asymmetric optical lens offers even illumination up to 5 metres deep with minimal backspill
Specially designed 76mm diameter aluminium extrusion supplied up to 6000mm lengths which can be joined together using cast aluminium connectors.
Die cast aluminium end caps
Standard 300mm Kwik Fit brackets
Casting sealed and certified to IP64
Full CE certificate and 5 year parts warranty
Conforms to EN60598-2-1:1989, BS EN 60598-1:2008 " UK Deviations Only", BS EN 62471 and high ambient temperature tested to 40°C

Brackets

3 pre-set positions enable installer optimum beam angle for sign depth.
Setting 1 300mm projection 0-2 metre depth. Setting 2 500mm projection 2-3 metre depth. Setting 3 1000mm projection 3-5 metre depth.

Photometrics

All photometric data can be found on our website for use with design software

Telephone: **01922 721 133**
Email: Sales@portlandlighting.co.uk



Portland Lighting
Unit 2
Reedwood Park Road
Walsall
WS2 8DQ