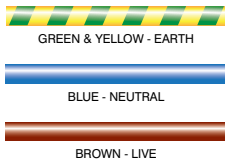


# edward & victoria lanterns

## INSTALLATION & WIRING INSTRUCTIONS

**1. IMPORTANT: Please read these instructions carefully before proceeding with installation.**

- 1.1 This instruction sheet should be passed on by installer to the end user for maintenance purposes.
- 1.2 It is recommended that the fitting is installed by a competent electrician in accordance with these instructions and appropriate wiring regulations.
- 1.3 Portland Lighting products should not be modified. No responsibility will be accepted for any modified products or for any damage caused as a result of their modification.
- 1.4 It is not recommended to install the fitting in areas that are liable to reach an ambient temperature in excess of 35°C.
- 1.5 To clean fittings use a soft damp cloth and dry immediately. Do not use any chemical/abrasive cleaner.
- 1.6 All fittings are class 1 fittings and should, therefore be earthed.
- 1.7 The fitting is suitable for dimming.
- 1.8 The fitting comes complete with an integral power supply and pre-wired with a 0.75M 3 core supply cable. The wires in this mains cable are coloured in accordance with the following code:



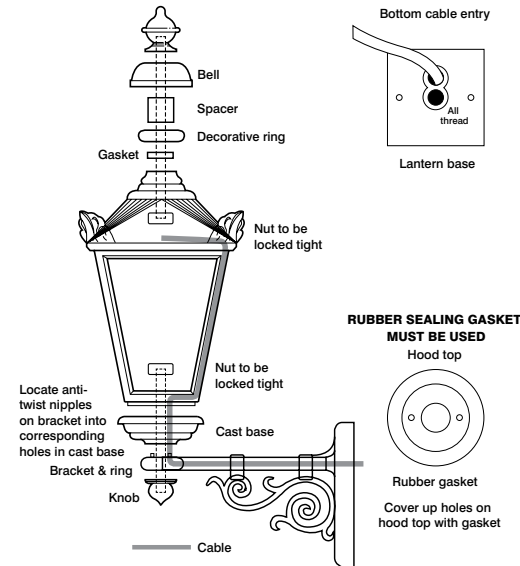
A suitable IP rated connection must be used at the other end.

- 1.9 Type Y Attachment – If the external flexible cable or cord of this luminaire is damaged, it shall be exclusively replaced by Portland Lighting Ltd or their service agent or a similar qualified person in order to avoid a hazard.

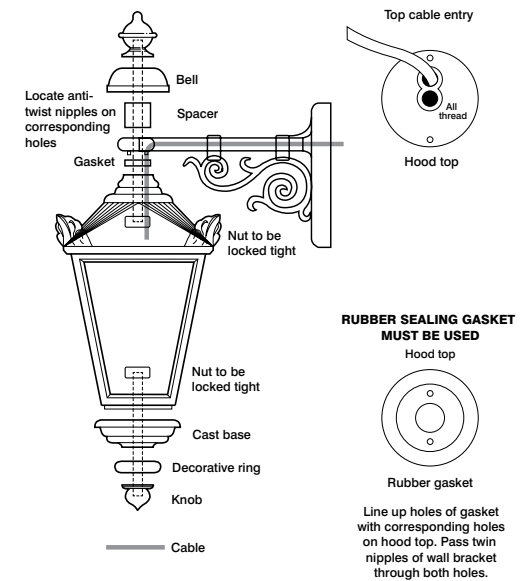


The fitting should be mounted on a suitable weight bearing surface, using appropriate fixings (Edward lantern 5kg, Victoria lantern 10kg).

### Bottom suspended lantern



### Top suspended lantern



### Important Safety

**Before carrying out any servicing on this luminaire, ensure that the mains supply is fully isolated.**

### technical enquiries

If you need any help with the installation or maintenance of Portland Lighting products, you can:

Telephone: **01922 721 133**  
Email: [Sales@portlandlighting.co.uk](mailto:Sales@portlandlighting.co.uk)



Portland Lighting  
**Unit 2**  
Reedwood Park Road  
Walsall  
WS2 8DQ